

**DEVELOPMENT
CONCEPT**



POS 145 mm

Light anti-tank missile



POS 145 is a light AT fire & forget guided missile. It is developed primarily for missions against moving tanks, armored vehicles and fortifications. Its guidance system is based on the video/infrared homing head.

By way of the monitor in the eyepiece, the operator acquires the target and presses the launch button. The missile follows approximately the ballistic trajectory in the vertical plane, providing for a greater angle of incidence. Based on the image obtained from the homing head, the missile trajectory can be corrected to match the target speed, which results in automatic hit of the moving target.

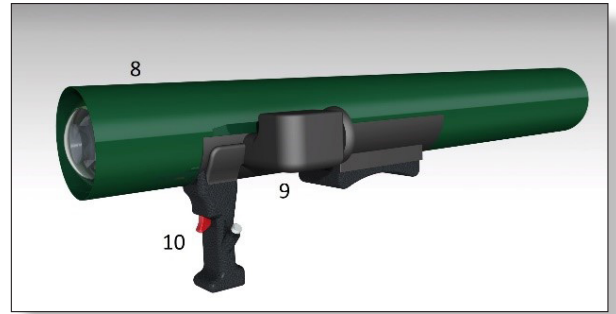
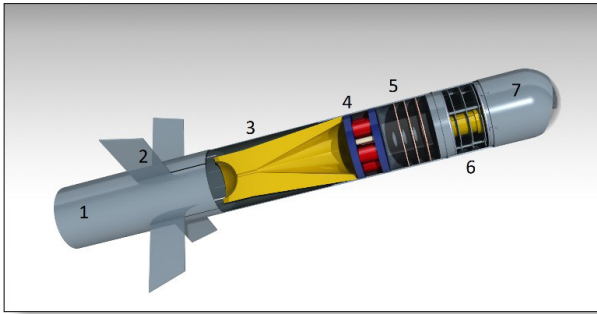
The system consists of the missile in container and the launching mechanism with the handgrip fitted with the trigger and built-in joystick for camera control and the eyepiece with a mini monitor. The container is a disposable unit, so after launching a new container with missile can be easily fitted on the launching mechanism.

MISSILE PERFORMANCE

- Max range 2,5 km
- Min range 0,4 km
- Rate of fire 1 missile / minute
- Warhead Tandem Shaped Charge 145/50 mm, 6,4 kg
- Penetrability > 1000 mm (RHA - Rolled Homogenous Armor with ERA)
- Guidance Terminal Guidance HH
- Seeker type Un-cooled IIR or TV
- Detonation mechanism Impact fuse
- Safety distance 100 m
- Propulsion Solid rocket motors
- Hit Probability against
 - Static target > 80 %
 - Moving target (25 km/h) > 70 %

WEIGHT AND DIMENSIONS

- Weight (Missile) 15 kg
- Weight (with container) 17 kg
- Command Launch Unit (CLU) 5 Kg
- Dimension (with container) Ø 155 x 1150 mm
- Diameter of missile 145 mm



POS 145 missile composition (with tandem warhead)

- 1. Propulsion section / Booster motor
- 2. Wings with control surfaces
- 3. Heat warhead
- 4. Battery block
- 5. Electronic block
- 6. Front heat warhead
- 7. Homing head

- 8. Container
- 9. Monitor
- 10. Handgrip with trigger

OPERATING TERMS OF USE

- Launch profile Shoulder fire
- Shelf Life Missile 10 Years
- Special Operational Conditions Dusty, Humid, Rainy, Snow
- Operating conditions
 - Temperature -35 °C to +60 °C
 - Humidity up to 90% RH
- Field storage conditions
 - Temperature -40 °C to +60 °C
 - Humidity up to 90 % RH
- Depot storage conditions
 - Temperature 15 °C to +30 °C
 - Humidity up to 80 % RH

AUXILIARY EQUIPMENT

- Training simulator
- Launcher and missile test equipment
- Flight monitoring and video recording system
- Electrical inspection (continuity & resistance) tester for field usage
- Field (Intermediate Level) fault diagnostic and repair/calibration capability



Should you have any further enquires, please do not hesitate to contact us at office@yugoimport.com
 All the data given in the brochure are for information purposes only. The final configuration and/or technical specification are defined for each contract individually.