



MAN TGS 33.360 6X6



MAN TGS 33.360 6x6 is a universal chassis that serves as a basis for various types of upgrades, e.g. for transport squads and ammunition, command posts containers, mobile workshops, towing weapons as guns, rocket launchers, etc.).

Length:

- L01: Wheelbase from 1. - 2. Axles 3900 mm
- L02: Wheelbase from 2. - 3. Axles 1400 mm
- L09: Theoretical wheelbase 4600 mm
- L10: Vehicle overhang front 1492 mm
- L11: Vehicle overhang rear 2400 mm

Heights:

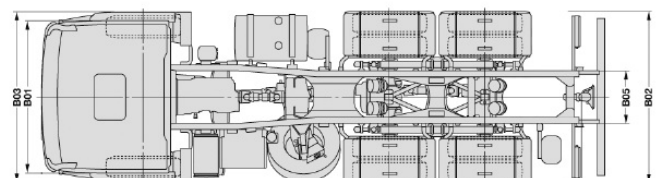
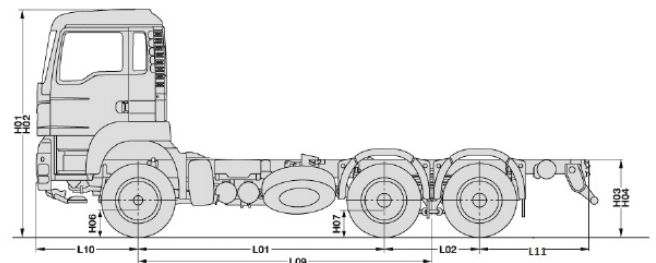
- H01: Height above Cabin (not loaded) 3420 mm
- H02: Height above Cabin (loaded) 3335 mm
- H03: Frame height (unloaded) 1230 mm
- H04: Frame height (loaded) 1150 mm
- H06: Chassis clearanc (front) 397 mm
- H07: Chassis clearanc (rear) 355 mm

Widths:

- B01: Cab width overall 2240 mm
- B02: Width above rear wheels 2700 mm
- B03: Overall width 2700 mm
- B04: Frame width (front) 945 mm
- B05: Frame width (rear) 765 mm

Weights:

- Front axle: Perm. Axle load 8000 kg
- Rear axle: Perm. Axle load 13000 kg
- Rear axle 2: Perm. Axle load 13000 kg





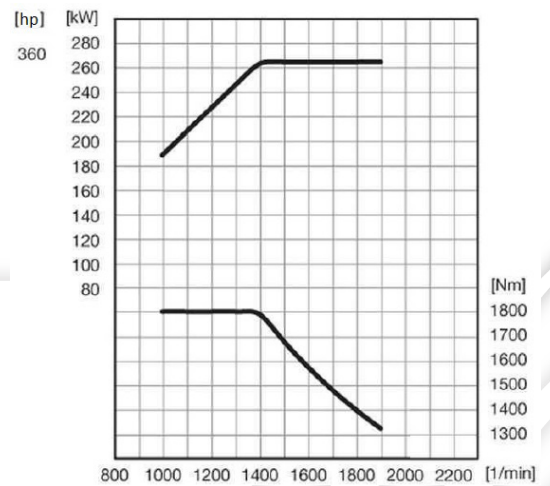
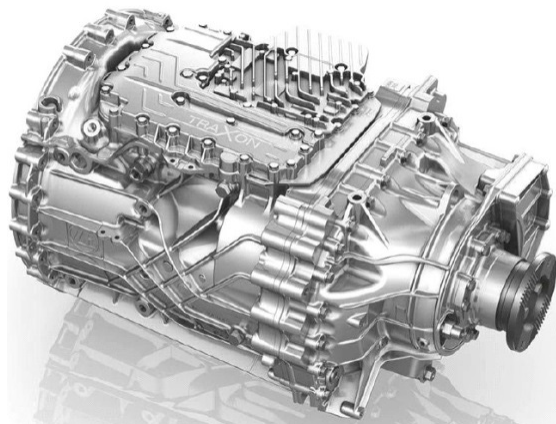
Mobility	
Side slope (%)	30
Vertical step (m)	~ 0.6
Trench (m)	~ 1
Fording depth (m)	up to 0.75
Turning radius (m)	23

Engine: D2066LF48

- Power: 360 hp / 265 kW @ 1400-1900 rpm
- Torque: 1800 Nm @ 1000-1400 rpm
- Common rail

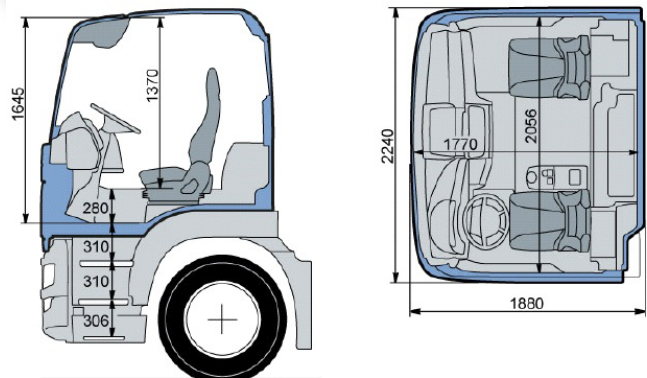
Gearbox: MAN TipMatic® 12 28

- Automated manually operated gearbox
- Twelve forward gears
- Two reverse gears



Cab: Type M (medium-length)

- 1 driver seat
- 1 co-driver seat
- 2 co-driver seats (optional)



Should you have any further enquires, please do not hesitate to contact us at office@yugoimport.com
 All the data given in the brochure are for information purposes only. The final configuration and/or technical specification are defined for each contract individually.